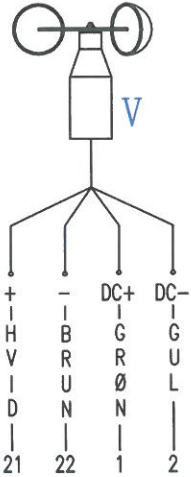
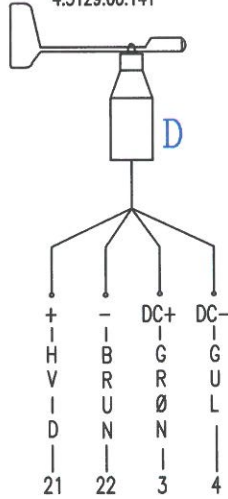


# VEJRSTATION TYPE HTVDX 203

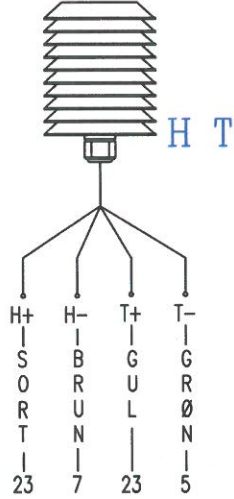
VINDHASTIGHEDSGIVER  
4.3519.00.141



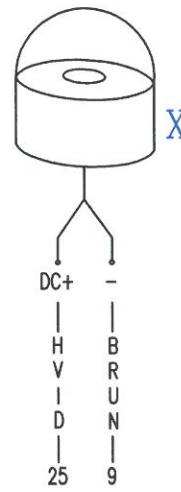
VINDRETNINGSGIVER  
4.3129.00.141



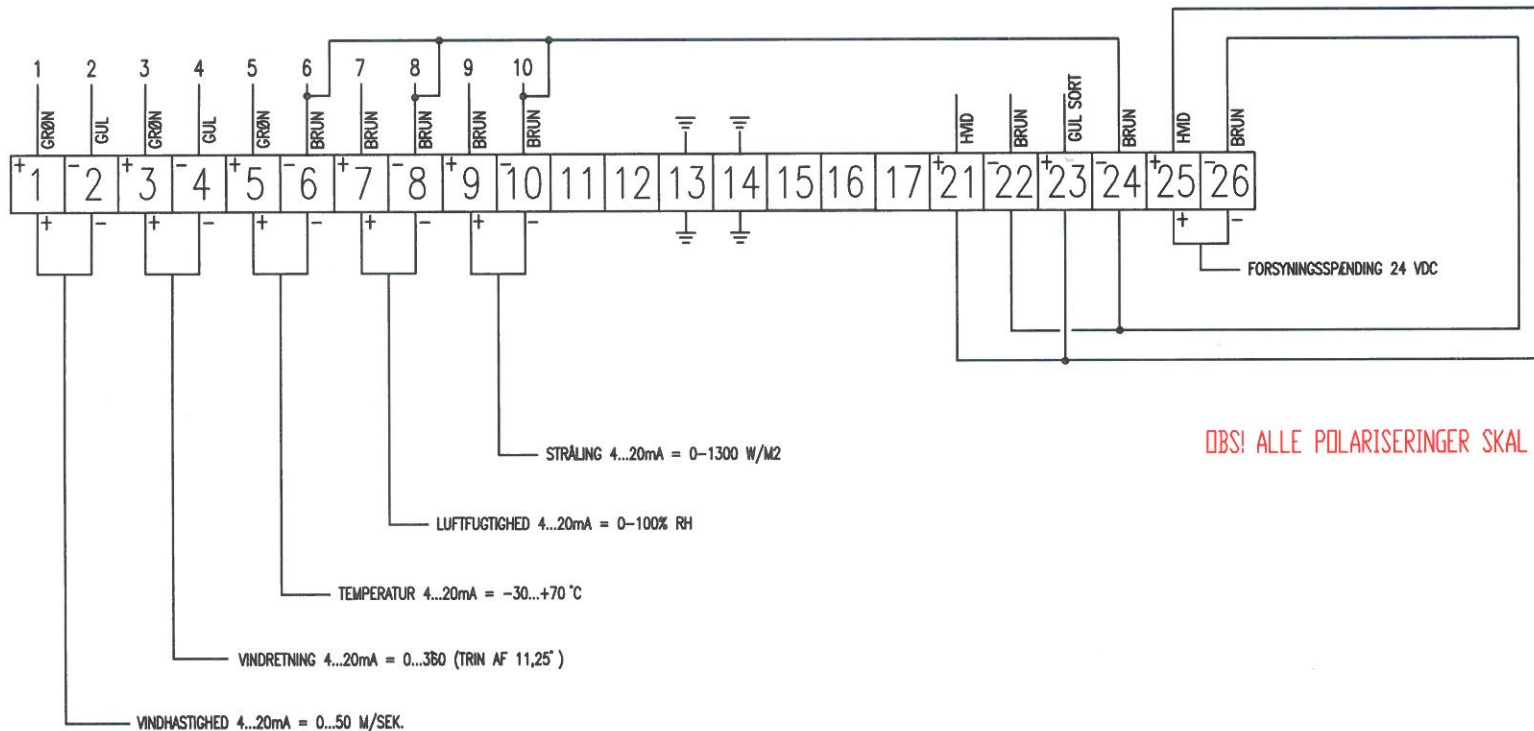
TEMP/FUGT  
KPC 3/6



STRÅLING  
3.3-041



4,0mA	=	0°	NORD
4,5mA	=	11,25°	
5,0mA	=	22,5°	
5,5mA	=	33,75°	
6,0mA	=	45°	
6,5mA	=	56,25°	
7,0mA	=	67,5°	
7,5mA	=	78,75°	
8,0mA	=	90°	ØST
8,5mA	=	101,25°	
9,0mA	=	112,5°	
9,5mA	=	123,75°	
10,0mA	=	135°	
10,5mA	=	146,25°	
11,0mA	=	157,5°	
11,5mA	=	168,75°	
12,0mA	=	180°	SYD
12,5mA	=	191,25°	
13,0mA	=	202,5°	
13,5mA	=	213,75°	
14,0mA	=	225°	
14,5mA	=	236,25°	
15,0mA	=	247,5°	
15,5mA	=	258,75°	
16,0mA	=	270°	VEST
16,5mA	=	281,25°	
17,0mA	=	292,5°	
17,5mA	=	303,75°	
18,0mA	=	315°	
18,5mA	=	326,25°	
19,0mA	=	337,5°	
19,5mA	=	348,75°	
20,0mA	=	360°	NORD



OBS! ALLE POLARISERINGER SKAL FORBINDES KORREKT

<b>mb-teknik</b> ingeniørfirma a-s		Brøndbytoften 8, 2650 Hvidovre tlf. 36473322 fax 36470222	
Title: FORBINDELSEDIAGRAM VEJRSTATION			
Customer:		Date: 17.09.15	
Mat.:		Scale: FIT	
Order nr.:	Dwg no.: 310274	Init: FB	