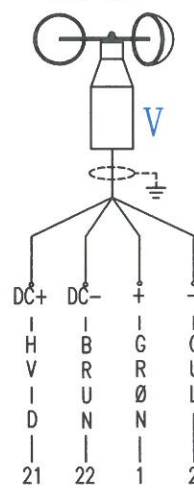
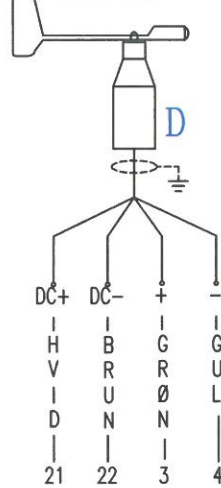


VEJRSTATION TYPE VDX 203

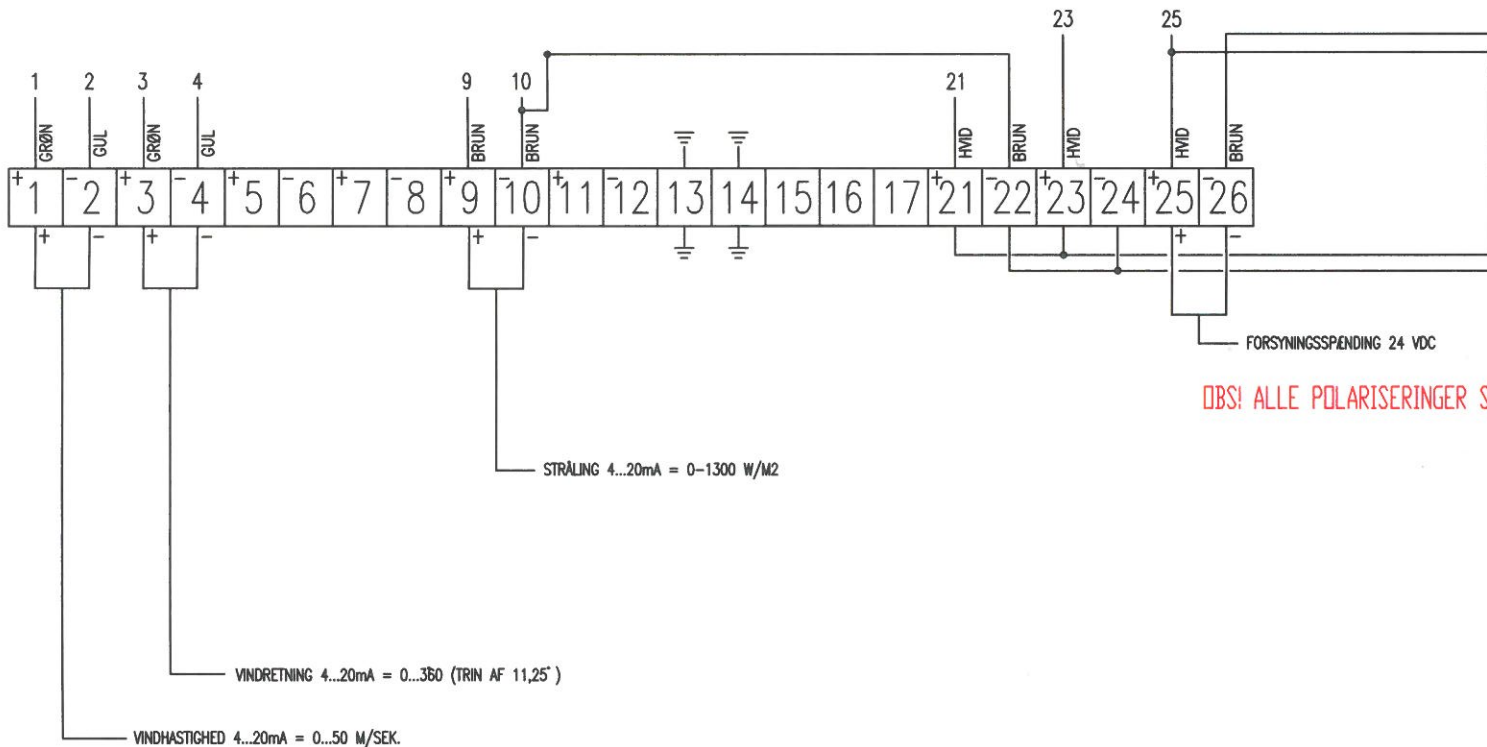
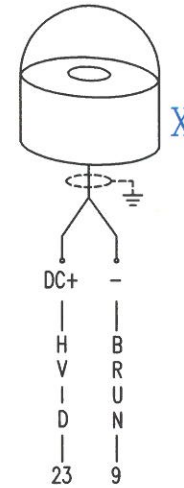
VINDHASTIGHEDSGIVER
4.3519.00.141



VINDRETNINGSGIVER
4.3129.00.141



STRÅLING
7.1415.09.041



OBS! ALLE POLARISERINGER SKAL FORBINDES KORREKT

4,0mA	= 0°	NORD
4,5mA	= 11,25°	
5,0mA	= 22,5°	
5,5mA	= 33,75°	
6,0mA	= 45°	
6,5mA	= 56,25°	
7,0mA	= 67,5°	
7,5mA	= 78,75°	
8,0mA	= 90°	ØST
8,5mA	= 101,25°	
9,0mA	= 112,5°	
9,5mA	= 123,75°	
10,0mA	= 135°	
10,5mA	= 146,25°	
11,0mA	= 157,5°	
11,5mA	= 168,75°	
12,0mA	= 180°	SYD
12,5mA	= 191,25°	
13,0mA	= 202,5°	
13,5mA	= 213,75°	
14,0mA	= 225°	
14,5mA	= 236,25°	
15,0mA	= 247,5°	
15,5mA	= 258,75°	
16,0mA	= 270°	VEST
16,5mA	= 281,25°	
17,0mA	= 292,5°	
17,5mA	= 303,75°	
18,0mA	= 315°	
18,5mA	= 326,25°	
19,0mA	= 337,5°	
19,5mA	= 348,75°	
20,0mA	= 360°	NORD

mb-teknik ingeniørfirma a-s		Brøndbytoften 8, 2605 Brøndby tlf. 36473322 fax 36470222	
Titel: FORBINDELSEDIAGRAM VEJRSTATION			
Customer:		Date:	25.02.13
Mat.:		Scale:	FIT
Order nr.:		Dwg no.:	310250
		Init.:	FB